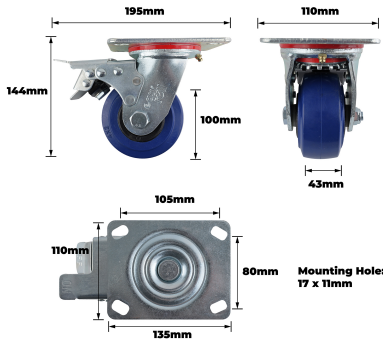


## Description

Easyroll 100mm Blue Rubber Swivel Plate Brake J3 Series Castor 200kg is a castor designed for reliable movement of moderately heavy loads using a plate mount system. It features a polypropylene wheel core with a rubber wheel that provides smooth and stable mobility, while the steel housing and ball bearing assembly contribute to its solid construction. The integrated brake and plate swivel attachment offer practical control and manoeuvrability for trade professionals.

## Features

- Steel housing ensures robust durability and strength
- Polypropylene wheel core offers lightweight strength and stability
- Rubber wheels deliver reliable traction on various surfaces
- Carbon steel ball bearings allow precise and smooth rotation
- Plate swivel enables secure mounting and flexible movement
- Versatile for indoor and outdoor applications
- Supports heavy loads up to 200kg safely
- Integrated plate brake provides secure positional control



**Product Code: J32TZ83K100**

## Specifications

Outdoor Use	Yes
Indoor Use	Yes
Bearing Type	Ball Bearing
Raceway Type	Single
Attachments	Plate Swivel

## Appearance

Product Colour	Red/Black/Silver
----------------	------------------

## Construction

Wheel Core Material	Polypropylene
Wheel Material	Rubber
Housing Material	Steel
Bearing Material	Carbon Steel

## Weights

Product Weight (grams)	2450
Product Weight (kg)	2.45
Load Capacity kg	200.0

## Dimensions

Product Length mm	195
Product Width mm	110
Product Height mm	144
Wheel Diameter	100
Tread Width mm	43
Swivel Radius mm	127.5
Mounting Hole Dimensions mm	17x11
Hole Centre Dimensions mm	105x80
Plate Dimensions mm	135x110

NSW/ACT Chris Caruana 0431 151 883 chris.c@ehi.com VIC/TAS/SA Trent Rapp 0412 444 133 trent.p@ehi.com.au  
 QLD Stephen Duncan 0458 203 917 stephen.d@ehi.com.au WA Greg Martin 0417 959 925 greg.m@ehi.com.au