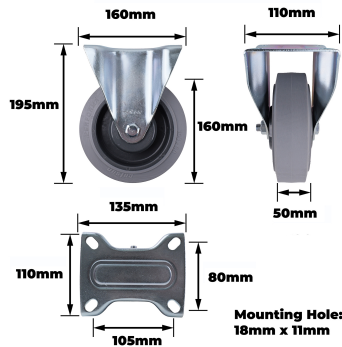


Colson 160mm Grey Performa Rubber Fixed Plate I6 Series Castor 225kg



Description

Colson 160mm Grey Performa Rubber Fixed Plate I6 Series Castor 225kg is a fixed plate mount castor designed for efficient mobility in commercial and trade settings. It features a polypropylene wheel core paired with hi-tech thermoplastic rubber to ensure smooth, balanced movement. The zinc plated steel housing and precision steel bearings contribute to reliable performance and consistent manoeuvrability. This practical solution supports the daily tasks of professionals seeking robust and dependable mobility options.

Features

- Robust zinc plated steel housing enhances overall castor strength
- Hi-Tech Performa thermoplastic rubber wheels afford durable performance
- Polypropylene wheel cores provide reliable operational consistency
- Precision steel bearings deliver smooth manoeuvring
- Rigid raceway design ensures stable roll direction
- Plate mount fitting simplifies installation
- Suitable for both indoor and outdoor applications
- Colson I6 Series castors built for practical, robust performance



Product Code: I63AZ-PL4T160

Specifications

Outdoor Use	Yes
Indoor Use	Yes
Bearing Type	Precision Bearing
Raceway Type	Rigid

Appearance

Product Colour	Silver/Grey
----------------	-------------

Construction

Wheel Core Material	Polypropylene
Wheel Material	Hi-Tech Performa Thermoplastic Rubber
Housing Material	Zinc Plated Steel
Bearing Material	Steel

Weights

Product Weight (grams)	1710
Product Weight (kg)	1.71
Load Capacity kg	225.0

Dimensions

Product Length mm	160
Product Width mm	110
Product Height mm	195
Wheel Diameter	160
Tread Width mm	50
Mounting Hole Dimensions mm	18x11
Hole Centre Dimensions mm	110/100x85/75
Plate Dimensions mm	135x110

NSW/ACT Chris Caruana 0431 151 883 chris.c@ehi.com VIC/TAS/SA Trent Rapp 0412 444 133 trent.p@ehi.com.au
 QLD Stephen Duncan 0458 203 917 stephen.d@ehi.com.au WA Greg Martin 0417 959 925 greg.m@ehi.com.au