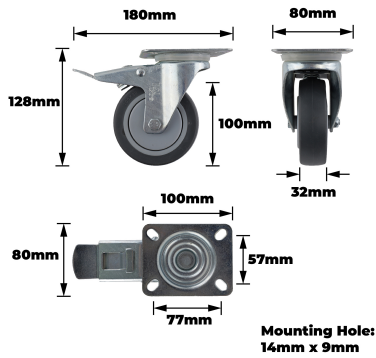


Easyroll 100mm Grey Rubber Swivel Plate Brake I4 Series Castor 100kg



Description

Easyroll 100mm Grey Rubber Swivel Plate Brake I4 Series Castor 100kg is a castor engineered with a 100mm diameter thermoplastic rubber wheel, a polypropylene wheel core, and a robust steel housing featuring carbon steel ball bearings. It integrates a bolt hole swivel mechanism and a plate mount fitting, offering secure and smooth rotation. This castor provides effective mobility and dependable performance for trade professionals seeking reliable, low-maintenance movement solutions.

Features

- Robust steel housing delivers enduring performance
- Polypropylene wheel core enhances stability during frequent use
- Thermoplastic rubber wheels reduce noise and improve traction
- Ball bearing design ensures smooth caster rotation
- Single raceway maintains reliable operation
- Bolt hole swivel attachment offers versatile mounting options
- Works indoors and outdoors
- I4 Series design delivers strong performance

Product Code: I42T34K100

Specifications

Outdoor Use	Yes
Indoor Use	Yes
Bearing Type	Ball Bearing
Raceway Type	Single
Attachments	Bolt Hole Swivel

Appearance

Product Colour	Grey/Silver/White
----------------	-------------------

Construction

Wheel Core Material	Polypropylene
Wheel Material	Thermoplastic Rubber
Housing Material	Steel
Bearing Material	Carbon Steel

Weights

Product Weight (grams)	835
Product Weight (kg)	0.835
Load Capacity kg	100.0

Dimensions

Product Length mm	180
Product Width mm	80
Product Height mm	128
Wheel Diameter	100
Tread Width mm	32
Swivel Radius mm	130
Mounting Hole Dimensions mm	14x9
Hole Centre Dimensions mm	77x57
Plate Dimensions mm	100x80

NSW/ACT Chris Caruana 0431 151 883 chris.c@ehi.com VIC/TAS/SA Trent Rapp 0412 444 133 trent.p@ehi.com.au
 QLD Stephen Duncan 0458 203 917 stephen.d@ehi.com.au WA Greg Martin 0417 959 925 greg.m@ehi.com.au

www.ehi.com.au

For all enquiries please contact our customer service team on 1300 727 535 or at cs@ehi.com.au

