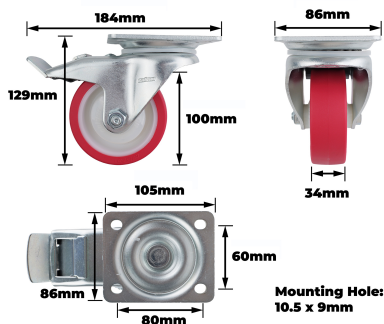


# Colson 100mm Red Urethane Swivel Plate Brake I3 Series Castor 230kg



## Description

Colson 100mm Red Urethane Swivel Plate Brake I3 Series Castor 230kg is designed for efficient load handling with its plate mount fitting and total brake system. It features a red urethane wheel paired with a plastic core and thermoplastic rubber components for smooth manoeuvrability. The design incorporates steel housings and ball bearings, offering trade professionals practical performance for managing heavy loads in varied settings.

## Features

- Castor design features plate mount configuration for secure fixing
- Red urethane wheels ensure smooth manoeuvring and durability
- Thermoplastic rubber wheels provide excellent wear resistance
- Steel housing and ball bearings deliver robust performance
- Precision ball bearing ensures reliable swivel movement
- Plastic wheel core provides stability and low maintenance
- Steel and plastic components deliver balanced durability and operation
- Total braking system offers precise stopping control

**Product Code: I32TZ-UL8K100**

## Specifications

Outdoor Use	Yes
Indoor Use	Yes
Bearing Type	Ball Bearing
Raceway Type	Single
Brake Type	Total

## Appearance

Product Colour	Red
----------------	-----

## Construction

Wheel Core Material	Plastic
Wheel Material	Thermoplastic Rubber
Housing Material	Steel
Bearing Material	Steel

## Weights

Product Weight (grams)	1289
Product Weight (kg)	1.289
Load Capacity kg	230.0

## Dimensions

Product Length mm	184
Product Width mm	86
Product Height mm	129
Wheel Diameter	100
Tread Width mm	34
Swivel Radius mm	131.5
Mounting Hole Dimensions mm	10.5x9
Hole Centre Dimensions mm	80x60
Plate Dimensions mm	105x86

NSW/ACT Chris Caruana 0431 151 883 chris.c@ehi.com  
 QLD Stephen Duncan 0458 203 917 stephen.d@ehi.com.au

VIC/TAS/SA Trent Rapp 0412 444 133 trent.p@ehi.com.au  
 WA Greg Martin 0417 959 925 greg.m@ehi.com.au