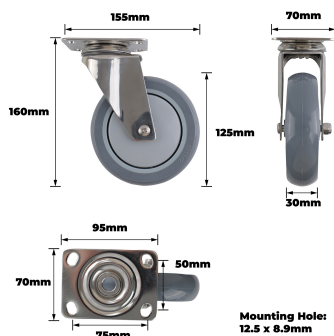


Easyroll 125mm Grey Urethane Swivel Plate Brake G7 Series Castor 100kg



Description

Easyroll 125mm Grey Urethane Swivel Plate Brake G7 Series Castor 100kg is engineered for professionals seeking reliable and accurate castor performance. Built with a nylon wheel core, polyurethane wheels and a steel housing coupled with stainless steel ball bearings, this castor offers dependable manoeuvrability and effective total braking. The plate mount design provides straightforward installation and secure movement, catering to trade professionals who require practical mobility solutions.

Features

- Castor housing constructed from robust steel for strength
- Polyurethane wheels built for high impact and wear resistance
- Ball bearing design ensures smooth roll and operation
- Nylon wheel core maintains structural integrity in demanding tasks
- Total brake integrated into swivel plate for precise control
- Secure plate mount ensures straightforward reliable installation
- Stainless steel bearing delivers corrosion resistance and durability
- Single raceway design promotes easy manoeuvring on diverse surfaces

Product Code: G72TS63K125

Specifications

Outdoor Use	Yes
Indoor Use	Yes
Bearing Type	Ball Bearing
Raceway Type	Single
Brake Type	Total
Attachments	Plate Swivel Total Brake

Appearance

Product Colour	Grey/Silver/Red
----------------	-----------------

Construction

Wheel Core Material	Nylon
Wheel Material	Polyurethane
Housing Material	Steel
Bearing Material	Stainless Steel

Weights

Product Weight (grams)	822
Product Weight (kg)	0.822
Load Capacity kg	100.0

Dimensions

Product Length mm	155
Product Width mm	70
Product Height mm	162
Wheel Diameter	125
Tread Width mm	32
Swivel Radius mm	107.5
Mounting Hole Dimensions mm	12.5x8.9
Hole Centre Dimensions mm	74x48
Plate Dimensions mm	95x70

NSW/ACT Chris Caruana 0431 151 883 chris.c@ehi.com VIC/TAS/SA Trent Rapp 0412 444 133 trent.p@ehi.com.au
 QLD Stephen Duncan 0458 203 917 stephen.d@ehi.com.au WA Greg Martin 0417 959 925 greg.m@ehi.com.au

www.ehi.com.au

For all enquiries please contact our customer service team on 1300 727 535 or at cs@ehi.com.au

POWERED BY
EHI
 AUSTRALIA