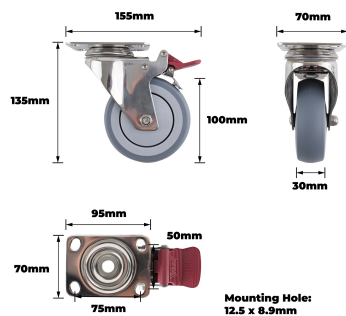


Easyroll 100mm Grey Rubber Swivel Plate Brake G7 Series Castor 80kg



Description

Easyroll 100mm Grey Rubber Swivel Plate Brake G7 Series Castor 80kg is a robust castor engineered for versatile material handling applications. Constructed with stainless steel housing, a polypropylene wheel core and a thermoplastic rubber wheel with a ball bearing system, it delivers reliable mobility and precise manoeuvrability. The plate swivel fitting ensures straightforward installation and secure attachment, providing trade professionals with a dependable solution for efficiently moving heavy loads.

Features

- Durable stainless steel 304 housing ensures robust structure
- Thermoplastic rubber wheels provide high abrasion resistance
- Polypropylene wheel core supports lightweight performance
- Ball bearing system delivers smooth reliable swivel motion
- Plate mount with swivel attachment allows versatile fitting
- Robust design built with quality materials across key elements
- Indoor and outdoor usage expands application flexibility
- Easyroll castors deliver dependable mobility performance

Product Code: G72TS62K100

Specifications

Outdoor Use	Yes
Indoor Use	Yes
Bearing Type	Ball Bearing
Raceway Type	Single
Attachments	Plate Swivel

Appearance

Product Colour	Grey/Silver/Red
----------------	-----------------

Construction

Wheel Core Material	Polypropylene
Wheel Material	Thermoplastic Rubber
Housing Material	Stainless steel 304
Bearing Material	Stainless Steel

Weights

Product Weight (grams)	604
Product Weight (kg)	0.604
Load Capacity kg	80.0

Dimensions

Product Length mm	155
Product Width mm	70
Product Height mm	136
Wheel Diameter	100
Tread Width mm	32
Swivel Radius mm	107.5
Mounting Hole Dimensions mm	12.5x8.9
Hole Centre Dimensions mm	74x48
Plate Dimensions mm	95x70

NSW/ACT Chris Caruana 0431 151 883 chris.c@ehi.com VIC/TAS/SA Trent Rapp 0412 444 133 trent.p@ehi.com.au
 QLD Stephen Duncan 0458 203 917 stephen.d@ehi.com.au WA Greg Martin 0417 959 925 greg.m@ehi.com.au