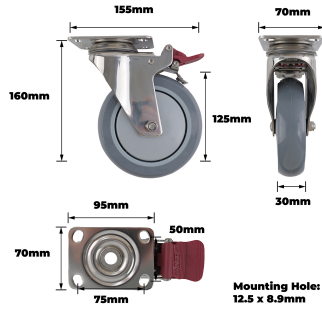


Easyroll 125mm Grey Urethane Swivel Plate G7 Series Castor 100kg



Description

Easyroll 125mm Grey Urethane Swivel Plate G7 Series Castor 100kg is engineered for precise equipment manoeuvring in trade settings. It offers a polyurethane wheel with a polypropylene core housed in stainless steel 304 and features a ball bearing system with plate swivel attachment. The design supports effective directional changes and reliable load management, ensuring professionals benefit from enhanced operational performance and ease of movement in various work environments.

Features

- Stainless steel 304 housing ensures robust design
- Polyurethane wheel supplies smooth rolling performance
- Polypropylene core reduces overall weight
- Ball bearing system offers reliable movement
- Plate mount provides secure installation
- Swivel attachment enhances manoeuvrability
- Indoor and outdoor compatibility ensures versatile application
- Carries up to 100kg load for reliable handling

Product Code: G72AS63K125

Specifications

Outdoor Use	Yes
Indoor Use	Yes
Bearing Type	Ball Bearing
Raceway Type	Single
Attachments	Plate Swivel

Appearance

Product Colour	Grey/Silver
----------------	-------------

Construction

Wheel Core Material	Polypropylene
Wheel Material	Polyurethane
Housing Material	Stainless steel 304
Bearing Material	Stainless Steel

Weights

Product Weight (grams)	796
Product Weight (kg)	0.796
Load Capacity kg	100.0

Dimensions

Product Length mm	155
Product Width mm	70
Product Height mm	161
Wheel Diameter	126
Tread Width mm	32
Swivel Radius mm	107.5
Mounting Hole Dimensions mm	12.5x8.9
Hole Centre Dimensions mm	74x48
Plate Dimensions mm	95x70

NSW/ACT Chris Caruana 0431 151 883 chris.c@ehi.com VIC/TAS/SA Trent Rapp 0412 444 133 trent.p@ehi.com.au
 QLD Stephen Duncan 0458 203 917 stephen.d@ehi.com.au WA Greg Martin 0417 959 925 greg.m@ehi.com.au