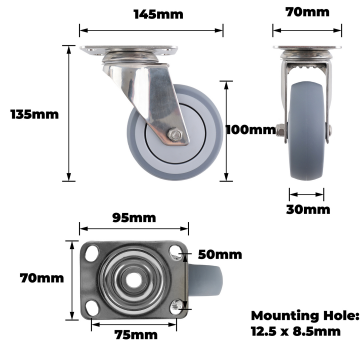


Easyroll 100mm Grey Rubber Swivel Plate G7 Series Castor 100kg



Description

Easyroll 100mm Grey Rubber Swivel Plate G7 Series Castor 100kg is designed for trade professionals requiring reliable mobility solutions. Constructed with a nylon wheel core and thermoplastic rubber wheel, this product provides a robust and smooth manoeuvring experience. The steel housing and stainless steel ball bearings ensure consistent performance and durability across a range of surfaces. Its plate mount and plate swivel attachments offer secure fitting and ease of integration in various transport applications.

Features

- Sturdy steel housing enhances durability and impact resistance
- Wheel constructed from thermoplastic rubber for consistent performance
- Nylon wheel core provides resilience and reliable shape retention
- Stainless steel ball bearings ensure smooth, consistent swivel performance
- Single raceway design aids ease of movement and direction changes
- Multiple colour options offer professional look and clear identification
- Castor supports load capacity while enabling agile manoeuvring
- Plate swivel attachment simplifies mounting and directional adjustments

Product Code: G72AS62K100

Specifications

Outdoor Use	Yes
Indoor Use	Yes
Bearing Type	Ball Bearing
Raceway Type	Single
Attachments	Plate Swivel

Appearance

Product Colour	Grey/Silver/Red
----------------	-----------------

Construction

Wheel Core Material	Nylon
Wheel Material	Thermoplastic Rubber
Housing Material	Steel
Bearing Material	Stainless Steel

Weights

Product Weight (grams)	700
Product Weight (kg)	0.7
Load Capacity kg	100.0

Dimensions

Product Length mm	145
Product Width mm	70
Product Height mm	136
Wheel Diameter	100
Tread Width mm	32
Swivel Radius mm	97.5
Mounting Hole Dimensions mm	12.5x8.9
Hole Centre Dimensions mm	74x48
Plate Dimensions mm	95x70

NSW/ACT Chris Caruana 0431 151 883 chris.c@ehi.com VIC/TAS/SA Trent Rapp 0412 444 133 trent.p@ehi.com.au
 QLD Stephen Duncan 0458 203 917 stephen.d@ehi.com.au WA Greg Martin 0417 959 925 greg.m@ehi.com.au