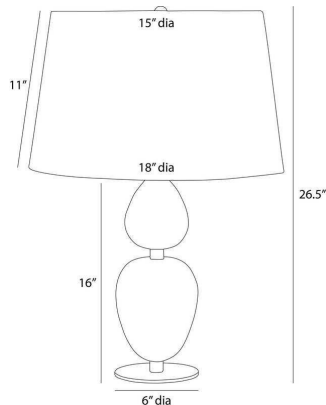


# ARTERIOS

## AUBREY LAMP



PTC66-829

H: 26.5 IN, Dia: 18.00 IN

Antique Brass, Gray Flower Marble,  
Black Marble

Defined by architectural elements and natural materials, the Aubrey is a showpiece. Even more so in our new combination of gray flower and black marble. Ovoid forms elevate the sleek frame of antique brass-plated steel and matching rounded base. Topped with an off-white linen shade lined in off-white cotton and an antique brass steel sphere finial. Finish will vary.

### APPEARANCE

Material	Marble, Steel, Linen, Cotton
Finish	Black, Gray Flower, Antique Brass, Off-White
Finish Will Vary	Yes
Top Coat/Sealant	Yes
Finial Description	Antique Brass Sphere

### DIMENSIONS

Base	H: 0.25 IN, Dia: 6.00 IN
Body	H: 16 IN, Dia: 6.00 IN
Foot Print	Dia: 6.00 IN
Neck	H: 2 IN, Dia: 1.00 IN
Shade Bottom	Dia: 18.00 IN
Shade Side	H: 11 IN
Shade Top	Dia: 15.00 IN
Harp Size	9" Brass IN

### WIRING

Rating	Indoor Only
Tilt Test	10 Degrees - AU
Cord	8 FT, Back of Lamp Base, Clear/Silver, SPT-2
Socket	1, Type A - E26
Switch	At Socket, 3-Way Rotary
Maximum Watt	150
Voltage	110-120 V

### CERTIFICATIONS

Certifications	Mexico, United Arab Emirates, United Kingdom, United States, Canada, Australia
----------------	--

### COMPLIANCY

UL/ETL	Yes
CB	Yes
RoHS	Yes

### SHIPPING

Shipping Requirements	Prop65
Product Weight	20.8 lbs
Gross Weight 1	20.94 lbs
Gross Weight 2	16.31 lbs
Shipping Box 1	H: 23 IN, L: 10 IN, W: 10 IN
Shipping Box 2	H: 33.86 IN, L: 19.29 IN, W: 19.29 IN

### ADDITIONAL INFO

Shade Shape	Round
Shade Trim	Rolled Edges
Shade Type	Hardback

### REPLACEMENT PARTS

Replacement Part 1	81002
--------------------	-------

### CONTRACT

Contract Suitable	Yes
-------------------	-----