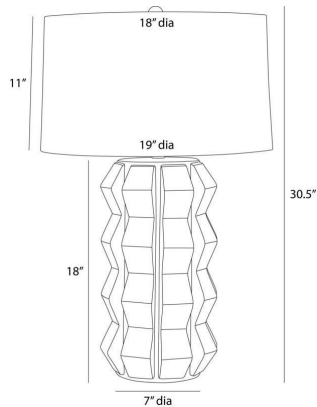


ARTERIOS

JOURNEY LAMP



PTC57-827

H: 30.5 IN, Dia: 19.00 IN

Ocean Reactive Ceramic

Shaped and glazed to create playful movement, our ceramic Journey is a modern update of a hand-thrown lamp from the Mid-Century. The zig-zag form is glazed in ocean reactive for subtle gradation and accented with antique brass hardware. Topped with a white linen drum shade and matching ceramic finial. Finish will vary.

APPEARANCE

Material	Ceramic, Steel, Linen
Finish	Ocean Reactive, Antique Brass, White
Finish Will Vary	Yes
Top Coat/Sealant	No
Finial Description	Matching ceramic sphere

DIMENSIONS

Body	H: 18 IN, Dia: 9.50 IN
Foot Print	Dia: 7.00 IN
Neck	H: 2 IN, Dia: 1.25 IN
Shade Bottom	Dia: 19.00 IN
Shade Side	H: 11 IN
Shade Top	Dia: 18.00 IN
Harp Size	9" Brass IN

WIRING

Rating	Indoor Only
Tilt Test	10 Degrees - AU
Cord	10 FT, Back of Lamp Base, Clear/Silver, SPT-2
Socket	1, Type A - E26
Switch	At Socket, 3-Way Rotary
Maximum Watt	150
Voltage	110-120 V

CERTIFICATIONS

Certifications	Mexico, United Arab Emirates, United Kingdom, United States, Canada, Australia
----------------	--

COMPLIANCY

UL/ETL	Yes
CB	Yes
RoHS	Yes

SHIPPING

Shipping Requirements	Prop65
Product Weight	23.6 lbs
Gross Weight 1	25.35 lbs
Gross Weight 2	10.8 lbs
Shipping Box 1	H: 25 IN, L: 13.5 IN, W: 13.5 IN
Shipping Box 2	H: 34.65 IN, L: 20.47 IN, W: 20.47 IN
	IN

ADDITIONAL INFO

Shade Shape	Round
Shade Trim	Rolled Edges
Shade Type	Hardback

REPLACEMENT PARTS

Replacement Part 1	PTC57FIN
--------------------	----------

CONTRACT

Contract Suitable	Yes
-------------------	-----