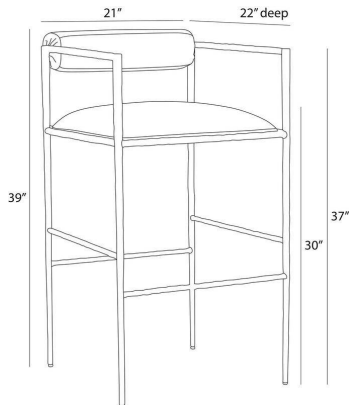


ARTERIOS

BARBANA BAR STOOL OXFORD WHITE



FSI20

H: 39 IN, W: 21 IN, D: 22 IN,

Oxford White Performance Fabric

ic in Oxford white. Finish will vary. This exquisite bar stool is perfectly poised, perched on delicate legs recalling an insect. A body of natural iron is hand-forged to yield soft impressions along its sharp-angled frame. The tight seat and bolster back are covered in performance fabric.

APPEARANCE

Material	Fabric, Iron
Material Type	Performance
Finish	Oxford White, Natural Iron
Finish Will Vary	Yes
Top Coat/Sealant	Yes
Textile Contract Suitability	High Traffic/Public Spaces

DIMENSIONS

Arm	H: 37 IN
Seat	H: 30 IN
Clearance	12 IN

SHIPPING

Shipping Requirements	TruckShip
Product Weight	52.5 lbs
Gross Weight 1	64.24 lbs
Shipping Box 1	H: 45 IN, L: 25 IN, W: 23 IN

ADDITIONAL INFO

Swatch Number	X79SW
Fabric Compliancy	NFPA-260, TB117-2013
Fabric Content	70% Polyester, 15% Viscose, 10% Acrylic
Fabric Cleaning Code	P - clean with detergent & water
Yardage To Reupholster	1 Yard Seat: 0.6 Yards Bolster: 0.4 Yards
Fabric Rub Count	50,000

CONTRACT

Contract Suitable	Adding a lacquer coating provides additional protection
Fabric Composition	70% Polyester, 15% Viscose, 10% Acrylic