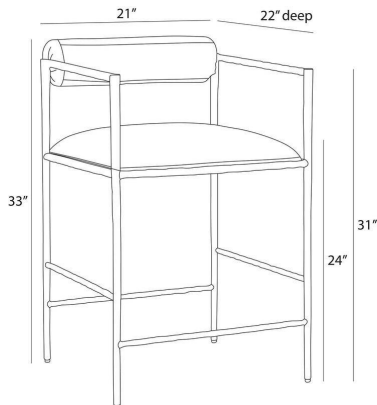


ARTERIOS

BARBANA COUNTER STOOL OXFORD



FS119

H: 33 IN, W: 21 IN, D: 22 IN,

Oxford White Performance Fabric

fabric in Oxford white. Finish will vary. This exquisite counter stool is perfectly poised, perched on delicate legs recalling an insect. A body of natural iron is hand-forged to yield soft impressions along its sharp-angled frame. The tight seat and bolster back are covered in performance

APPEARANCE

Material	Fabric, Iron
Material Type	Performance
Finish	Oxford White, Natural Iron
Finish Will Vary	Yes
Top Coat/Sealant	Yes
Textile Contract Suitability	High Traffic/Public Spaces

DIMENSIONS

Arm	H: 31 IN
Seat	H: 24 IN
Clearance	6 IN

SHIPPING

Shipping Requirements	TruckShip
Product Weight	46.5 lbs
Gross Weight 1	59.84 lbs
Shipping Box 1	H: 37.5 IN, L: 26.5 IN, W: 24 IN

ADDITIONAL INFO

Swatch Number	X79SW
Fabric Compliancy	NFPA-260, TB117-2013
Fabric Content	70% Polyester, 15% Viscose, 10% Acrylic
Fabric Cleaning Code	P - clean with detergent & water
Yardage To Reupholster	1 Yard Seat: 0.6 Yards Bolster: 0.4 Yards
Fabric Rub Count	50,000

CONTRACT

Contract Suitable	Adding a lacquer coating provides additional protection
Fabric Composition	70% Polyester, 15% Viscose, 10% Acrylic