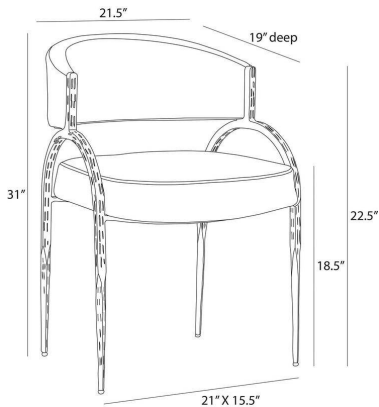


# ARTERIOS

## BAHATI CHAIR



FRI28

H: 31 IN, W: 21.5 IN, D: 19 IN,  
Midnight Grey Performance Velvet

A curved back and large seat rest on a perfectly poised silhouette to compose the foundation of the Bahati. Natural iron has been hand-forged, yielding delicate details along its thin frame. The seat and back cushion are covered in a midnight grey performance velvet, allowing this piece to perform easily alongside existing décor. For a matte finish on the legs, lightly brush the iron with a Scotchbrite pad to take down the sheen.

### APPEARANCE

Material	Velvet, Iron
Material Type	Performance
Finish	Midnight Grey, Natural Iron
Top Coat/Sealant	Yes
Textile Contract Suitability	High Traffic/Public Spaces

### DIMENSIONS

Arm	H: 22.5 IN
Foot Print	W: 21 IN, D: 15.5 IN
Seat	H: 18.5 IN, W: 19.5 IN, D: 19 IN
Clearance	15 IN

### SHIPPING

Product Weight	29.5 lbs
Gross Weight 1	44.65 lbs
Shipping Box 1	H: 35 IN, L: 25 IN, W: 23 IN

### ADDITIONAL INFO

Swatch Number	V36SW
Fabric Compliancy	NFPA-260, TB117-2013
Fabric Content	100% Polyester
Fabric Cleaning Code	P - clean with detergent & water 1.5 Yards   Seat Back: 0.66 Yards,
Yardage To Reupholster	11 Square Feet   Seat: 0.82 Yards, 14.76 Square Feet
Fabric Rub Count	50,000

### CONTRACT

Contract Suitable	Yes
Fabric Composition	100% Polyester