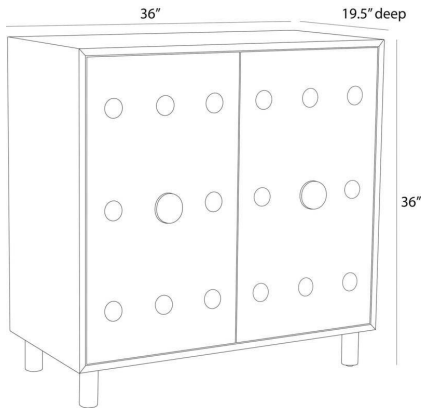


ARTERIOS

KEANU CABINET



FNS17
 H: 36 IN, W: 36 IN, D: 19.5 IN,
 Olive Ash Veneer

Double soft-close doors open to reveal two adjustable shelves. Encased in a matching truffle olive ash veneer frame. Finish will vary. Punctuated by vintage brass inlays, this olive ash veneer cabinet is reminiscent of a fashionable tailored and buttoned vest. The truffle burl finish adds a hint of graphic glamour while playing up the dramatic contrast with the blending hardware. D

APPEARANCE

Material	Olive Ash Veneer, Brass Truffle Burl, Truffle, Vintage
Finish	Brass
Finish Will Vary	Yes
Top Coat/Sealant	No

DIMENSIONS

Cabinet Interior	H: 29 IN, W: 34.5 IN, D: 16 IN
Door	H: 30.5 IN, W: 17 IN, D: 1 IN
Foot Print	W: 34 IN, D: 16 IN
Leg	H: 4.5 IN, Dia: 2.00 IN
Shelf	H: 1.5 IN, W: 34.5 IN, D: 15 IN
Table Top	W: 36 IN, D: 18 IN
Diagonal Dimension	37 IN
Clearance	4.5 IN

SHIPPING

Shipping Requirements	TruckShip
Product Weight	140.1 lbs
Gross Weight 1	172.84 lbs
Shipping Box 1	H: 41.14 IN, L: 39.17 IN, W: 23.03 IN

ADDITIONAL INFO

Features	Anti-Tip Kit Included
Swatch Number	TOAWSW

CONTRACT

Contract Suitable	Yes
-------------------	-----