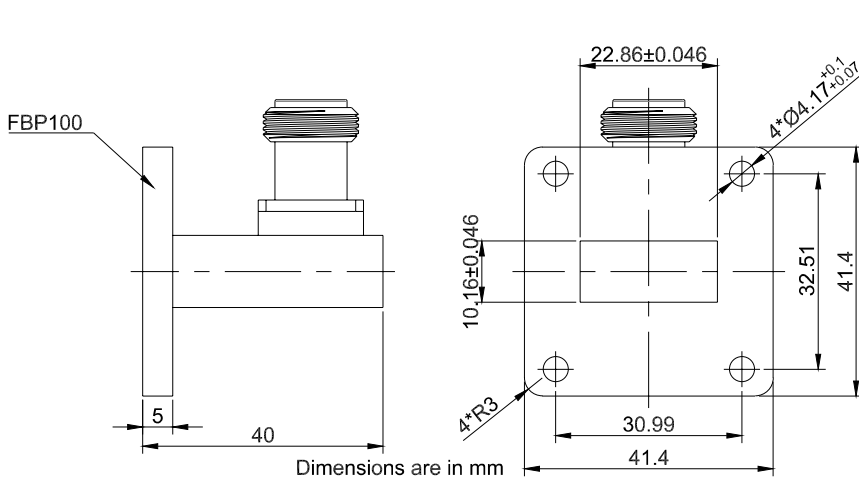


WR-90 to N Female Right Angle Waveguide to Coax Adapter with FBP100 Flange | 8.2 - 12.4GHz WR90/N-K-V



Product Configuration

Body Style	Right Angle
Flange Designation	FBP100
Waveguide Size	WR-90
Connector Series	N
Connector Polarity	Standard
Connector Gender	Female
Connector Impedance (Ohm)	50

Electrical Specifications

VSWR / Return Loss	1.25
Frequency Range	8.2 - 12.4GHz

Mechanical Data

Weight (g)	56 g
Body Material	Brass

Environmental Specifications

RoHS Compliant	Yes
Operating Temperature Range	-55 °C to +125 °C