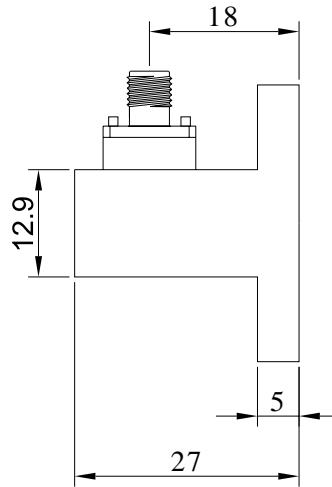
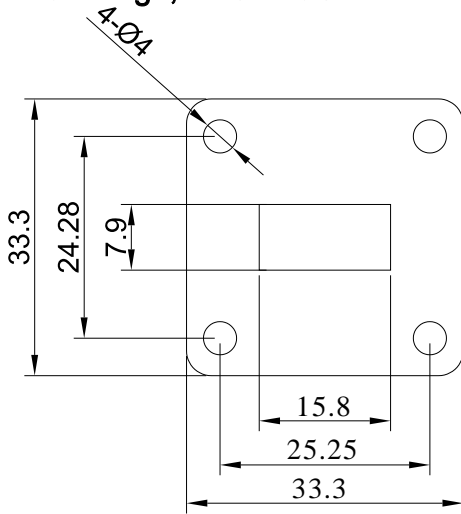


WR-62 to SMA Female Right Angle Waveguide to Coax Adapters with UBR140 Flange, 11.9 - 18GHz

WR62/SMA-UBR140-K-V



Dimensions are in mm

Product Configuration

Body Style	Right Angle
Flange Designation	UBR140
Waveguide Size	WR-62
Connector Series	SMA
Connector Polarity	Standard
Connector Gender	Female
Connector Impedance (Ohm)	50

Electrical Specifications

VSWR	1.25
Insertion Loss	≤0.25
Frequency Range	11.9-18GHz

Mechanical Data

Weight (g)	29.55 g
Body Material	Aluminum

Environmental Specifications

RoHS Compliant	Yes
Operating Temperature Range	-30 °C to +70 °C