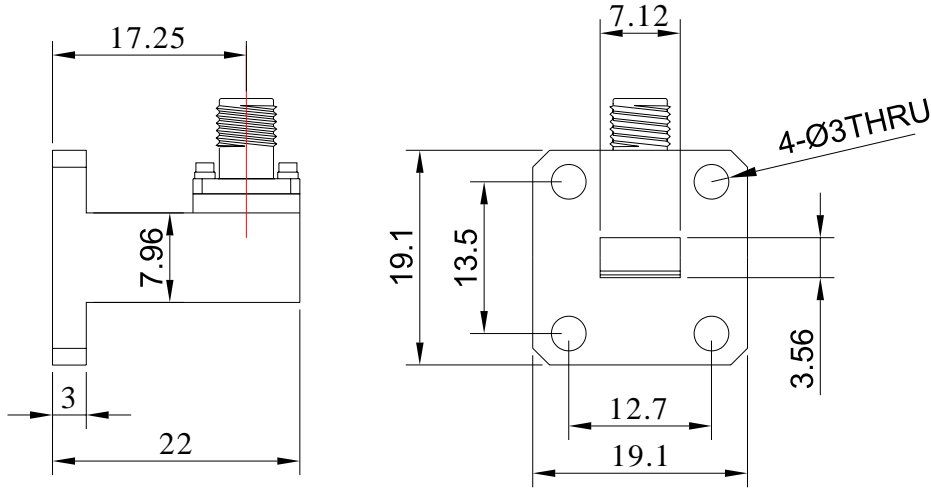


**WR-28 to 2.92mm Female Right Angle Waveguide to Coax Adapter with UBR320 Flange | 26.5 - 40GHz**

**WR28/2.92-UBR320-K-V**



Dimensions are in mm

**Product Configuration**

Body Style	Right Angle
Flange Designation	UBR320
Waveguide Size	WR-28
Connector Series	2.92mm
Connector Polarity	Standard
Connector Gender	Female
Connector Impedance (Ohm)	50

**Electrical Specifications**

VSWR / Return Loss	1.25
Insertion Loss	≤ 0.25dB
Frequency Range	26.5-40GHz

**Mechanical Data**

Weight (g)	12.3 g
Body Material	Aluminum

**Environmental Specifications**

RoHS Compliant	Yes
Operating Temperature Range	-55 °C to +125 °C