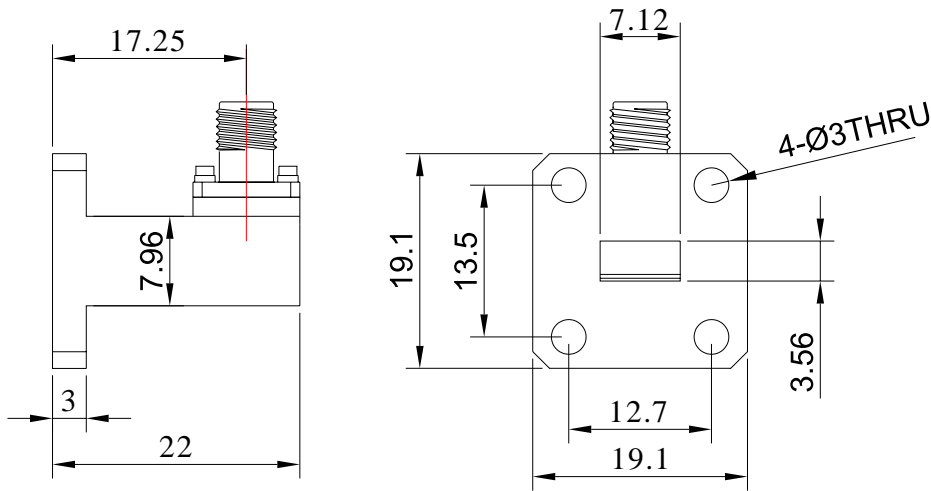


## WR-28 to 2.92mm Female Right Angle Waveguide to Coax Adapters with UBR320 Flange, 26.5 - 40GHz

WR28/2.92-UBR320-K-V



Dimensions are in mm

### Product Configuration

Body Style	Right Angle
Flange Designation	UBR320
Waveguide Size	WR-28
Connector Series	2.92mm
Connector Polarity	Standard
Connector Gender	Female
Connector Impedance (Ohm)	50

### Electrical Specifications

VSWR	1.25
Insertion Loss	≤0.25
Frequency Range	26.5-40GHz

### Mechanical Data

Weight (g)	12.3 g
Body Material	Aluminum

### Environmental Specifications

RoHS Compliant	Yes
Operating Temperature Range	-30 °C to +70 °C