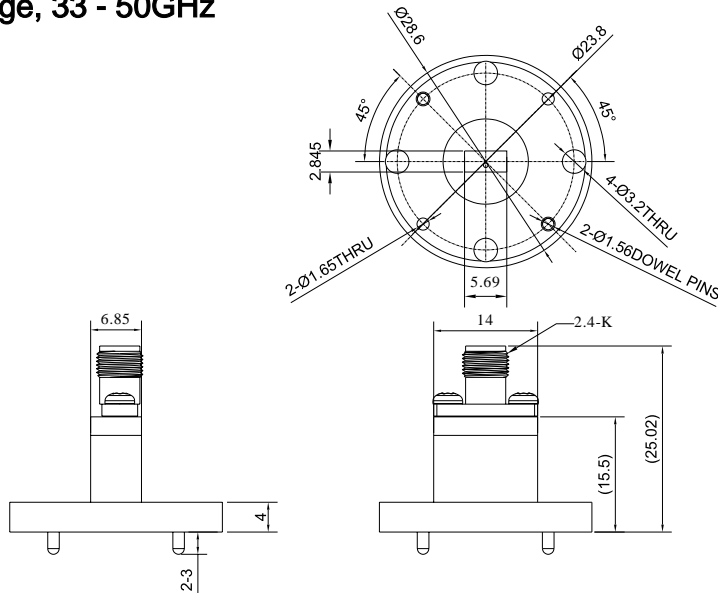


## WR-22 to 2.4mm Female Straight Waveguide to Coax Adapters with UG-383/U Flange, 33 - 50GHz

WR22/2.4-UG-K-T



### Product Configuration

Body Style	Straight
Flange Designation	UG-383/U
Waveguide Size	WR-22
Connector Series	2.4mm
Connector Polarity	Standard
Connector Gender	Female
Connector Impedance (Ohm)	50

### Electrical Specifications

VSWR	1.4
Insertion Loss	≤0.5
Frequency Range	33-50GHz

### Mechanical Data

Weight (g)	28.7 g
Body Material	Brass

### Environmental Specifications

RoHS Compliant	Yes
Operating Temperature Range	-30 °C to +70 °C