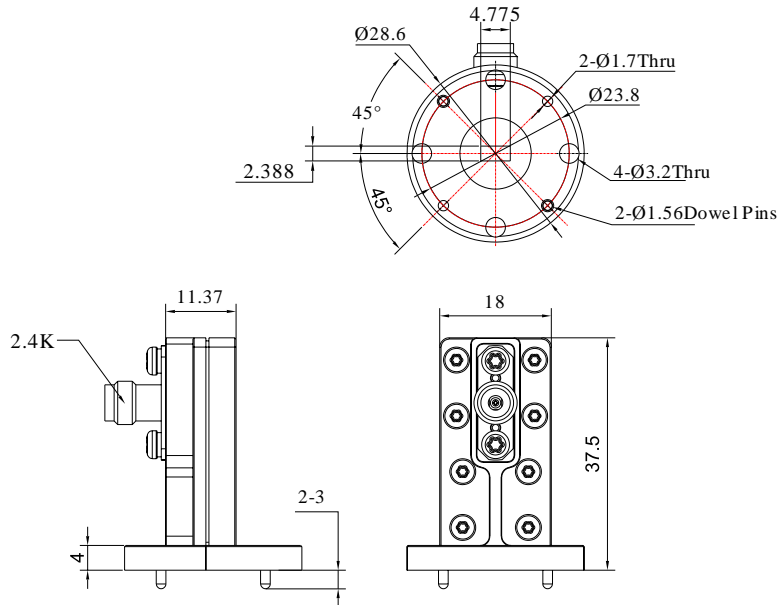


WR-19 to 2.4mm Female Right Angle Waveguide to Coax Adapter with UG-383/U Flange | 39.2 - 52GHz

WR19/2.4-UG-K-V



Product Configuration

Body Style	Right Angle
Flange Designation	UG-383/U
Waveguide Size	WR-19
Connector Series	2.4mm
Connector Polarity	Standard
Connector Gender	Female
Connector Impedance (Ohm)	50

Electrical Specifications

VSWR / Return Loss	1.4
Insertion Loss	≤ 0.5dB
Frequency Range	39.2-52GHz

Mechanical Data

Weight (g)	56.8 g
Body Material	Brass

Environmental Specifications

RoHS Compliant	Yes
Operating Temperature Range	-55 °C to +125 °C