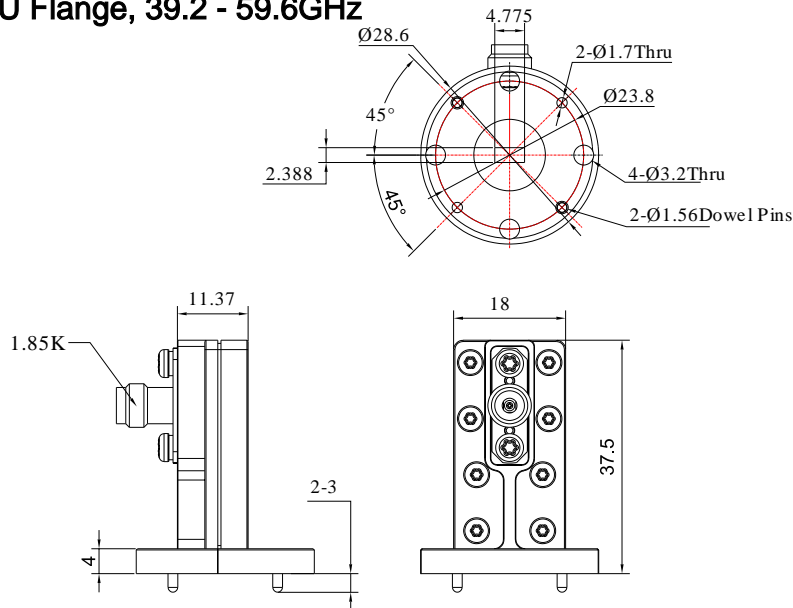


WR-19 to 1.85mm Female Right Angle Waveguide to Coax Adapters with UG-383/U Flange, 39.2 - 59.6GHz

WR19/1.85-UG-K-V



Product Configuration

Body Style	Right Angle
Flange Designation	UG-383/U
Waveguide Size	WR-19
Connector Series	1.85mm
Connector Polarity	Standard
Connector Gender	Female
Connector Impedance (Ohm)	50

Electrical Specifications

VSWR	1.5
Insertion Loss	≤0.8
Frequency Range	39.2-52GHz

Mechanical Data

Weight (g)	56.5 g
Body Material	Brass

Environmental Specifications

RoHS Compliant	Yes
Operating Temperature Range	-30 °C to +70 °C