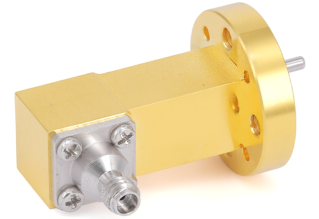
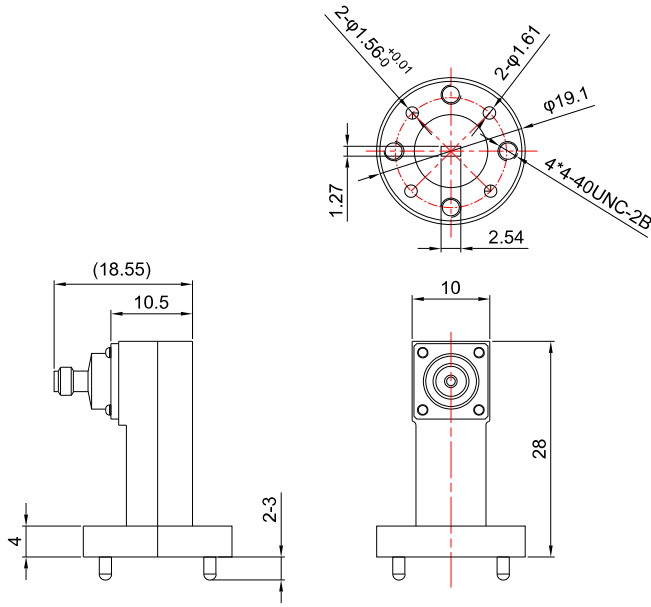


WR-10 to 1.0mm Female Right Angle Waveguide to Coax Adapter with FUGP900 Flange | 73.8-112GHz **WR10/1.0-UG-K-V**



Product Configuration

Body Style	Right Angle
Flange Designation	FUGP900
Waveguide Size	WR-10
Connector Series	1.0mm
Connector Polarity	Standard
Connector Gender	Female
Connector Impedance (Ohm)	50

Electrical Specifications

VSWR / Return Loss	≤ 1.4
Insertion Loss	$\leq 1.0\text{dB}$
Frequency Range	73.8-112GHz

Mechanical Data

Body Material	Brass
Body Plating	Gold

Environmental Specifications

RoHS Compliant	Yes
Operating Temperature Range	-40°C to +125°C