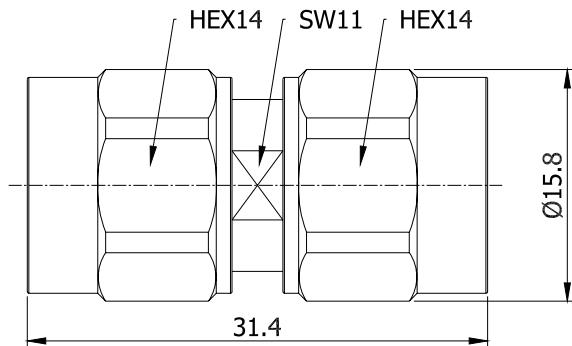


TNC Male to TNC Male Straight Precision Adapter | DC to 18GHz

P/N: **FR1-TNC-JJS**



Dimensions are in mm

Product Configuration

	Connector 1	Connector 2
Connector Series	TNC	TNC
Connector Polarity	Standard	Standard
Connector Gender	Male	Male
Connector Impedance (Ohm)	50	50
Body Style	Straight	Straight
Connector Body Material	Stainless Steel	Stainless Steel
Connector Body Plating	Passivated	Passivated
Mount Method		None

Electrical Specifications

Frequency	DC - 18GHz
VSWR / Return Loss	1.25 to 18GHz
Insertion Loss	$\leq 0.05 \times \text{Sqrt.}(f_GHz)$

Mechanical Data

Min. Mating Cycles	≥ 500
--------------------	------------

Environmental Specifications

RoHS Compliant	Yes
Operating Temperature Range	-55 °C to +125 °C
MIL/STD	Compliant