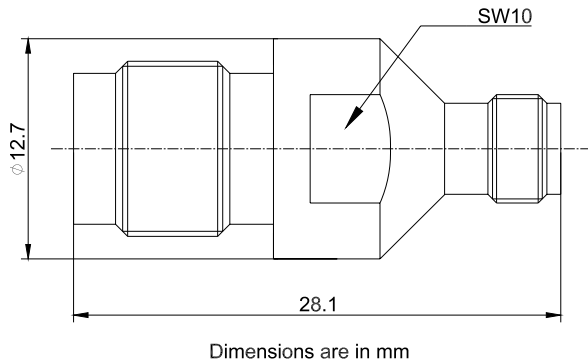


TNC Female to SMA Female Straight Precision Adapter | DC-18GHz P/N: FR1-TNC/SMA-KKS



Product Configuration		
	Connector 1	Connector 2
Connector Series	TNC	SMA
Connector Polarity	Standard	Standard
Connector Gender	Female	Female
Connector Impedance (Ohm)	50	50
Body Style	Straight	Straight
Connector Body Material	Stainless Steel	Stainless Steel
Connector Body Plating	Passivated	Passivated
Mount Method		None

Electrical Specifications

Frequency	DC - 18GHz
VSWR / Return Loss	1.25
Insertion Loss	$\leq 0.1 \times \text{Sqrt.}(f_GHz)$

Mechanical Data

Min. Mating Cycles	≥ 500
Weight (g)	11 g

Environmental Specifications

RoHS Compliant	Yes
Operating Temperature Range	-55 °C to +165 °C