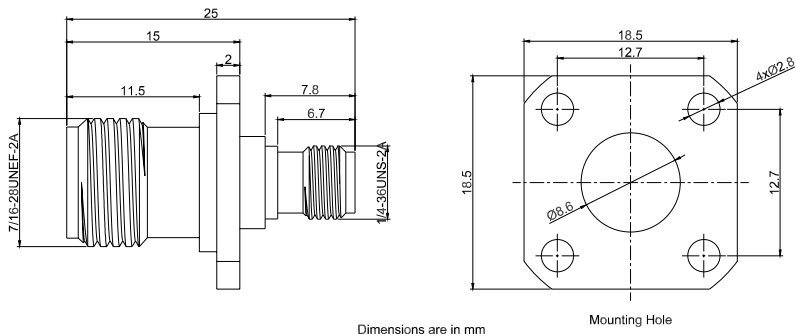


TNC Female to SMA Female Adapter with 4 Hole Flange,DC-4GHz

FR1-TNC/SMA-KFK1



Product Configuration

Connector 1 Series	TNC
Connector 1 Polarity	Standard
Connector 1 Gender	Female
Connector 1 Impedance (Ohm)	50
Connector 1 Mount Method	4 Hole Flange
Connector 2 Series	SMA
Connector 2 Polarity	Standard
Connector 2 Gender	Female
Connector 2 Impedance (Ohm)	50
Connector 2 Mount Method	None
Body Style	Straight

Mechanical Data

Connector 1 Body Material	Brass
Connector 1 Body Plating	Nickel
Connector 2 Body Material	Brass
Connector 2 Body Plating	Nickel
Min. Mating Cycles	≥500
Weight	10.15 g

Electrical Specifications

Frequency	DC to 4 GHz
VSWR	≤1.25
Insertion Loss	≤ 0.1 x Sqrt.(f_GHz)

Environmental Specifications

RoHS Compliant	Yes
Operating Temperature Range	-40°C to +125°C
MIL/STD	N/A