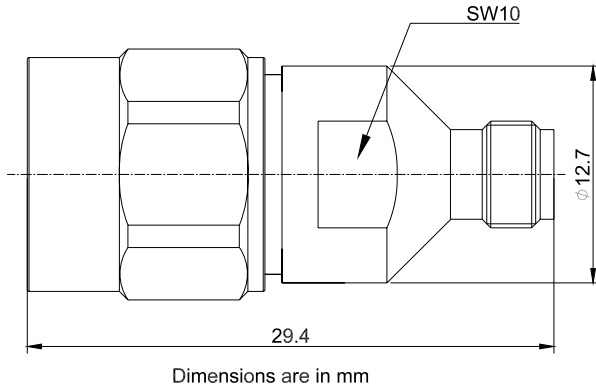


TNC Male to SMA Female Straight Precision Adapter | DC-18GHz

P/N: FR1-TNC/SMA-JKS



Product Configuration

| | Connector 1 | Connector 2 |
|---------------------------|-----------------|-----------------|
| Connector Series | TNC | SMA |
| Connector Polarity | Standard | Standard |
| Connector Gender | Male | Female |
| Connector Impedance (Ohm) | 50 | 50 |
| Body Style | Straight | Straight |
| Connector Body Material | Stainless Steel | Stainless Steel |
| Connector Body Plating | Passivated | Passivated |
| Mount Method | | None |

Electrical Specifications

| | |
|--------------------|--|
| Frequency | DC - 18GHz |
| VSWR / Return Loss | 1.25 |
| Insertion Loss | $\leq 0.1 \times \text{Sqrt.}(f_GHz)$ |

Mechanical Data

| | |
|--------------------|------------|
| Min. Mating Cycles | ≥ 500 |
| Weight (g) | 18 g |

Environmental Specifications

| | |
|-----------------------------|-------------------|
| RoHS Compliant | Yes |
| Operating Temperature Range | -55 °C to +165 °C |