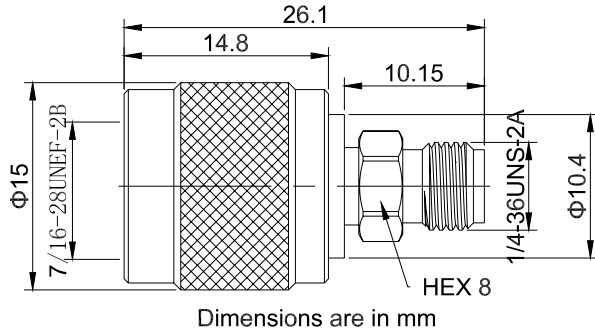


TNC Male to SMA Female Straight Adapter | DC-3GHz

P/N: TNC/SMA-JK



Product Configuration

	Connector 1	Connector 2
Connector Series	TNC	SMA
Connector Polarity	Standard	Standard
Connector Gender	Male	Female
Connector Impedance (Ohm)	50	50
Connector Body Material	Brass	Brass
Connector Body Plating	Nickel	Nickel
Body Style	Straight	Straight
Mount Method		None

Electrical Specifications

Frequency	DC - 3GHz
VSWR / Return Loss	1.25
Insertion Loss	≤ 0.1 x Sqrt.(f_GHz)

Mechanical Data

Min. Mating Cycles	≥500
Weight (g)	15 g

Environmental Specifications

RoHS Compliant	Yes
Operating Temperature Range	-55 °C to +165 °C