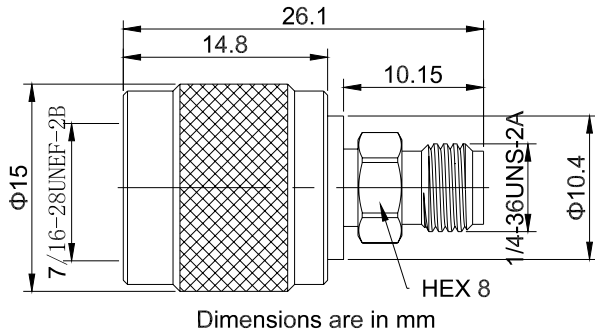


TNC Male to SMA Female Straight Adapter | DC-3GHz

P/N: FR1-TNC/SMA-JK



Product Configuration

	Connector 1	Connector 2
Connector Series	TNC	SMA
Connector Polarity	Standard	Standard
Connector Gender	Male	Female
Connector Impedance (Ohm)	50	50
Body Style	Straight	Straight
Connector Body Material	Brass	Brass
Connector Body Plating	Nickel	Nickel
Min. Mating Cycles	≥500	≥500

Electrical Specifications

Frequency	DC - 3GHz
VSWR / Return Loss	1.25
Insertion Loss	≤ 0.1 x Sqrt.(f_GHz)

Environmental Specifications

RoHS Compliant	Yes
Operating Temperature Range	-55 °C to +165 °C