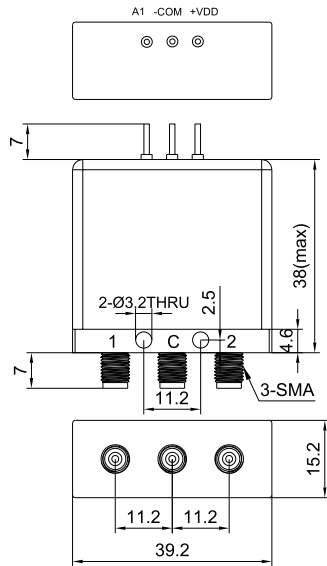


SPDT Electromechanical Relay Failsafe Switch | TTL | SMA Female | DC - 18GHz | 12V P/N: SPDT18G12VT



Product Configuration

Control Interface	Solder Pin
Switch Type	Terminated
Switch Design	SPDT
Connector Series	SMA
Connector Polarity	Standard
Connector Gender	Female
Connector Impedance (Ohm)	50

Electrical Specifications

Return Loss or VSWR Input	1.4
Frequency Range	DC-18GHz
Isolation Min.(dB)	60
Insertion Loss, Max Input	0.2 to 6GHz, 0.25 to 12GHz, 0.4 to 18GHz
Maximum Speed,ms	15
Control Volt (Volts)	12
Current, DC (mA)	200

Mechanical Data

Min. Mating Cycles	≥500
Weight (g)	70 g

Environmental Specifications

RoHS Compliant	Yes
Operating Temperature Range	-25°C to +65°C