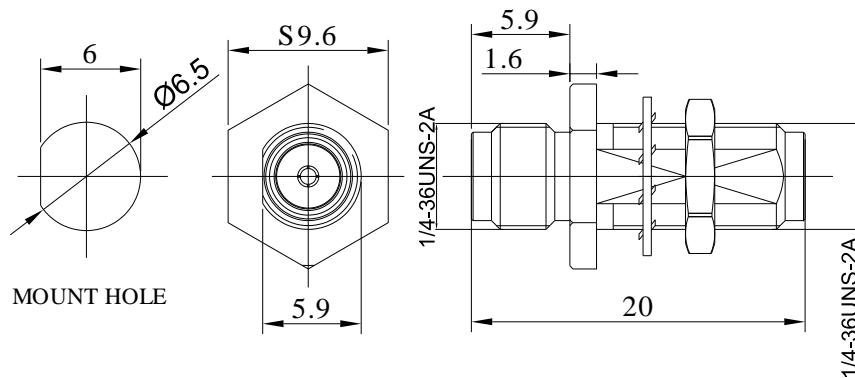


SMA Female to SMA Female Bulkhead Mount Adapter, DC - 26.5GHz

FR1-SMA-KYKG-1



Dimensions are in mm

Product Configuration

Connector 1 Series	SMA
Connector 1 Polarity	Standard
Connector 1 Gender	Female
Connector 1 Impedance (Ohm)	50
Connector 1 Mount Method	Bulkhead
Connector 2 Series	SMA
Connector 2 Polarity	Standard
Connector 2 Gender	Female
Connector 2 Impedance (Ohm)	50
Connector 2 Mount Method	Bulkhead
Body Style	Straight

Mechanical Data

Connector 1 Body Material	Stainless Steel
Connector 1 Body Plating	Passivated
Connector 2 Body Material	Stainless Steel
Connector 2 Body Plating	Passivated
Mating Cycles, Min	≥500
Weight	3.47 g

Electrical Specifications

Frequency	DC-26.5GHz
VSWR	1.25
Insertion Loss	≤0.1 x Sq.(f_GHz)

Environmental Specifications

RoHS Compliant	Yes
Operating Temperature Range	-55 °C to +165 °C
MIL/STD	N/A