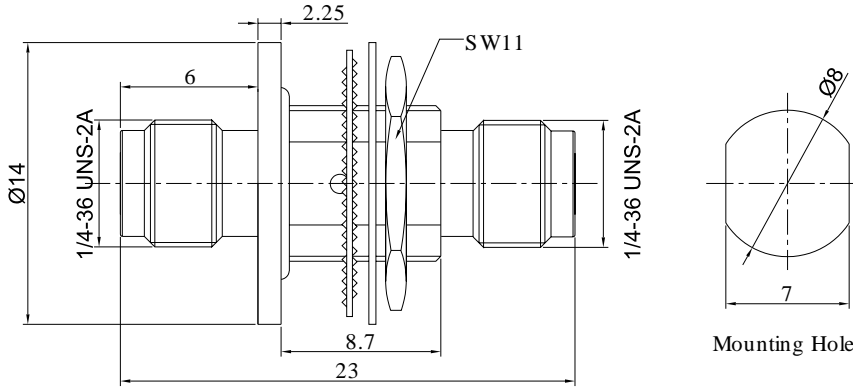


SMA Female to SMA Female Bulkhead Mount Adapter, Length 23mm, DC - 18GHz FR1-SMA-KYK1



Dimensions are in mm

Product Configuration

Connector 1 Series	SMA
Connector 1 Polarity	Standard
Connector 1 Gender	Female
Connector 1 Impedance (Ohm)	50
Connector 1 Mount Method	Bulkhead
Connector 2 Series	SMA
Connector 2 Polarity	Standard
Connector 2 Gender	Female
Connector 2 Impedance (Ohm)	50
Connector 2 Mount Method	Bulkhead
Body Style	Straight

Mechanical Data

Connector 1 Body Material	Brass
Connector 1 Body Plating	Gold
Connector 2 Body Material	Brass
Connector 2 Body Plating	Gold
Min. Mating Cycles	≥500
Weight	6.86 g

Electrical Specifications

Frequency	DC-18GHz
VSWR	1.25
Insertion Loss	≤0.1 x Sq.(f_GHz)

Environmental Specifications

RoHS Compliant	Yes
Operating Temperature Range	-55 °C to +165 °C
MIL/STD	N/A