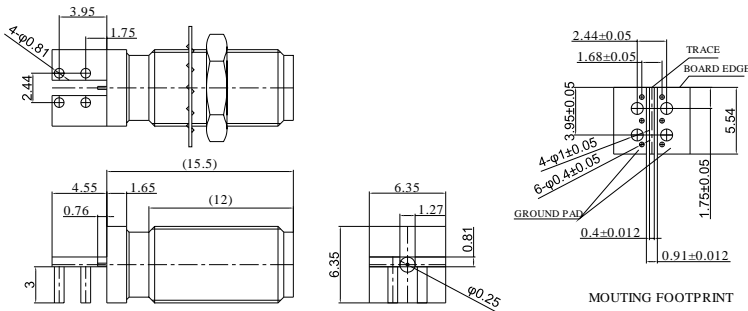


## SMA Female Bulkhead Mount Connector for PCB, DC - 18GHz

P/N: FR2-SMA-KYHD321



Dimensions are in mm



### Product Configuration

Body Style	Straight
Connector Series	SMA
Connector Polarity	Standard
Connector Gender	Female
Termination Type	PCB
Connector Impedance (Ohm)	50
Mount Method	Bulkhead

### Electrical Specifications

Frequency	DC-26.5GHz
VSWR	1.3 to 18GHz, 1.38 to 26.5GHz
Insertion Loss	$\leq 0.1 \times \sqrt{f_{GHz}}$

### Mechanical Data

Mating Cycles, Min	$\geq 500$
Weight	3.14 g
Body Material	Brass
Body Plating	Gold

### Environmental Specifications

RoHS Compliant	Yes
Operating Temperature Range	-55 °C to +165 °C
MIL/STD	N/A