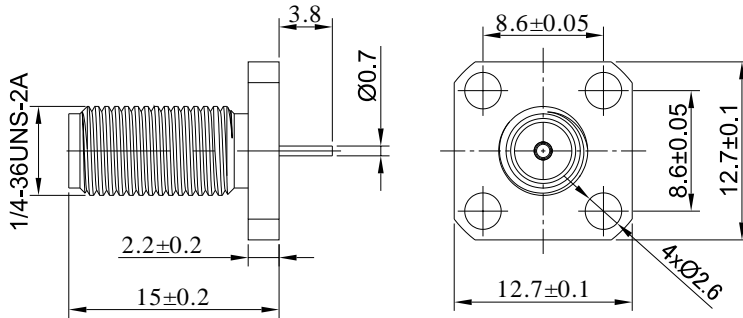


SMA Female Bulkhead Mount Connector for PCB with 4 Hole Flange, DC - 6GHz

P/N: FR2-SMA-KYFD0101



Dimensions are in mm

Product Configuration

Body Style	Straight
Connector Series	SMA
Connector Polarity	Standard
Connector Gender	Female
Termination Type	PCB
Connector Impedance (Ohm)	50
Mount Method	4 Hole Flange

Electrical Specifications

Frequency	DC-6GHz
VSWR	1.25
Insertion Loss	$\leq 0.1 \times \text{Sqrt.}(f_Ghz)$

Mechanical Data

Mating Cycles, Min	≥ 500
Weight	3.96 g
Body Material	Brass
Body Plating	Gold

Environmental Specifications

RoHS Compliant	Yes
Operating Temperature Range	-55 °C to $+165\text{ °C}$
MIL/STD	N/A