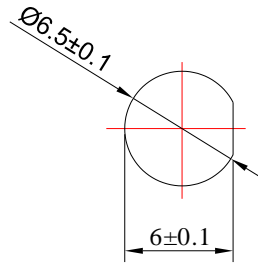
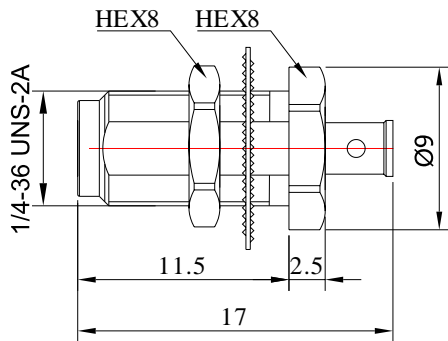


SMA Female Bulkhead Mount Connector for .086' Series Cables, DC - 18GHz

P/N: FR2-SMA-KYB2



MOUNT HOLE



Dimensions are in mm

Product Configuration

| | |
|---------------------------|----------|
| Body Style | Straight |
| Connector Series | SMA |
| Connector Polarity | Standard |
| Connector Gender | Female |
| Termination Type | Coax |
| Connector Impedance (Ohm) | 50 |
| Mount Method | Bulkhead |

Electrical Specifications

| | |
|----------------|----------------------------------------------|
| Frequency | DC-18GHz |
| VSWR | 1.25 |
| Insertion Loss | $\leq 0.1 \times \text{Sq.}(f_{\text{GHz}})$ |

Mechanical Data

| | |
|--------------------|------------|
| Mating Cycles, Min | ≥ 500 |
| Weight | 3.06 g |
| Body Material | Brass |
| Body Plating | Gold |

Environmental Specifications

| | |
|-----------------------------|-------------------|
| RoHS Compliant | Yes |
| Operating Temperature Range | -55 °C to +165 °C |
| MIL/STD | N/A |