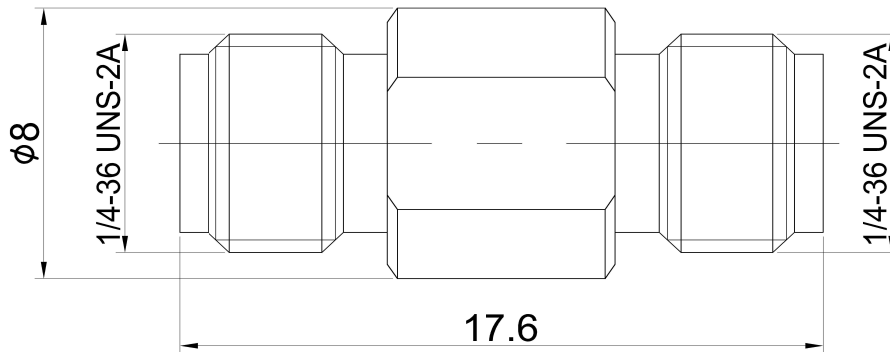


## SMA Female to SMA Female Adapter, DC - 18GHz

FR1-SMA-KKS



Dimensions are in mm



### Product Configuration

|                             |          |
|-----------------------------|----------|
| Connector 1 Series          | SMA      |
| Connector 1 Polarity        | Standard |
| Connector 1 Gender          | Female   |
| Connector 1 Impedance (Ohm) | 50       |
| Connector 1 Mount Method    | None     |
| Connector 2 Series          | SMA      |
| Connector 2 Polarity        | Standard |
| Connector 2 Gender          | Female   |
| Connector 2 Impedance (Ohm) | 50       |
| Connector 2 Mount Method    | None     |
| Body Style                  | Straight |

### Mechanical Data

|                           |                 |
|---------------------------|-----------------|
| Connector 1 Body Material | Stainless Steel |
| Connector 1 Body Plating  | Passivated      |
| Connector 2 Body Material | Stainless Steel |
| Connector 2 Body Plating  | Passivated      |
| Mating Cycles, Min        | ≥500            |
| Weight                    | 2.7 g           |

### Electrical Specifications

|                |                    |
|----------------|--------------------|
| Frequency      | DC-18GHz           |
| VSWR           | 1.15               |
| Insertion Loss | ≤0.04 x Sq.(f_GHz) |

### Environmental Specifications

|                             |                   |
|-----------------------------|-------------------|
| RoHS Compliant              | Yes               |
| Operating Temperature Range | -55 °C to +165 °C |
| MIL/STD                     | N/A               |