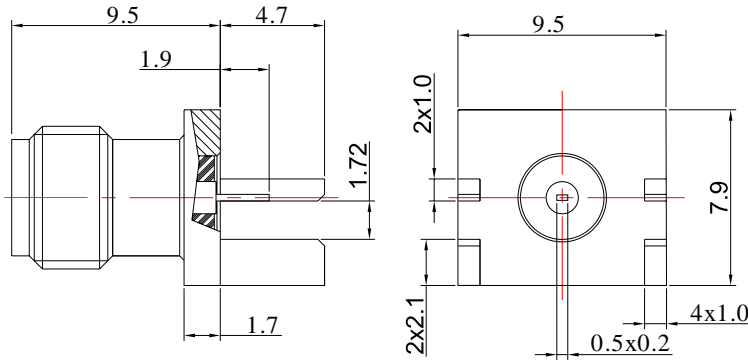


## SMA Female Connector End Launch Suit for PCB Thickness 1.62mm | DC - 18GHz

P/N: FR2-SMA-KHD10



Dimensions are in mm



### Product Configuration

Body Style	Straight
Connector Series	SMA
Connector Polarity	Standard
Connector Gender	Female
Termination Type	PCB
Connector Impedance (Ohm)	50
Mount Method	End Launch

### Electrical Specifications

Frequency	DC - 18GHz
VSWR / Return Loss	1.25
Insertion Loss	$\leq 0.05 \times \text{Sqrt}(f\_GHz)$

### Mechanical Data

Min. Mating Cycles	$\geq 500$
Weight	2 g
Body Material	Brass
Body Plating	Gold

### Environmental Specifications

RoHS Compliant	Yes
Operating Temperature Range	-55 °C to +165 °C