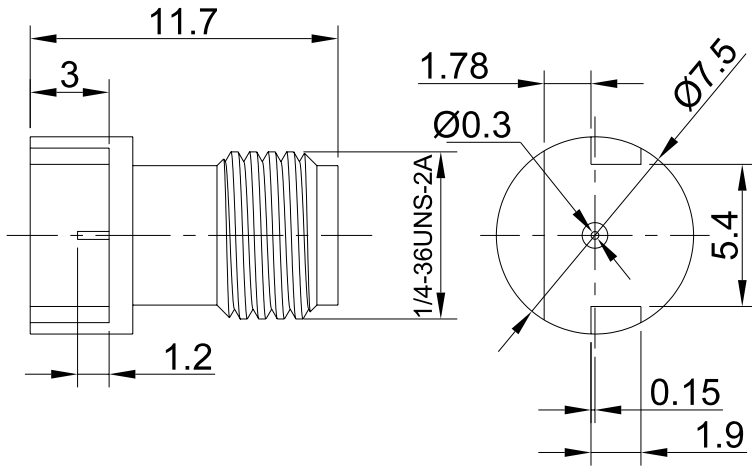


SMA Female Connector End Launch Suit for PCB Thickness 1.68mm Length of Center Pin 1.2mm | DC - 18GHz

SMA-KHD108



Dimensions are in mm

Product Configuration

Connector Series	SMA
Connector Polarity	Standard
Connector Gender	Female
Body Style	Straight
Termination Type	PCB
Connector Impedance (Ohm)	50
Mount Method	End Launch

Mechanical Data

Min. Mating Cycles	≥500
Weight (g)	1.6 g
Body Material	Brass
Body Plating	Gold

Electrical Specifications

Frequency	DC - 18GHz
VSWR / Return Loss	1.15
Insertion Loss	≤ 0.1x Sqrt.(f_GHz)

Environmental Specifications

RoHS Compliant	Yes
Operating Temperature Range	-55 °C to +165 °C