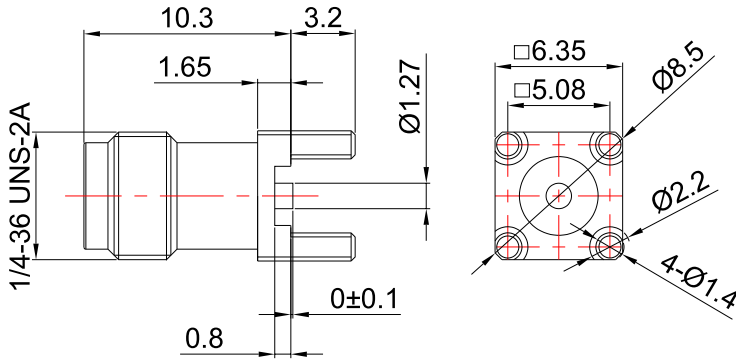


SMA Female Connector Vertical Launch Suit for PCB | Length of Center Pin 0.8mm | [SMA-KHD104](#)
DC - 12.4GHz



Dimensions are in mm



Product Configuration

Connector Series	SMA
Connector Polarity	Standard
Connector Gender	Female
Body Style	Straight
Termination Type	PCB
Connector Impedance (Ohm)	50

Mechanical Data

Min. Mating Cycles	≥500
Body Material	Brass
Body Plating	Gold

Electrical Specifications

Frequency	DC - 12.4GHz
VSWR / Return Loss	≤ 1.1+0.02 x (f_GHz)
Insertion Loss	≤ 0.03 x Sqrt.(f_GHz)

Environmental Specifications

RoHS Compliant	Yes
Operating Temperature Range	-40°C to +165°C