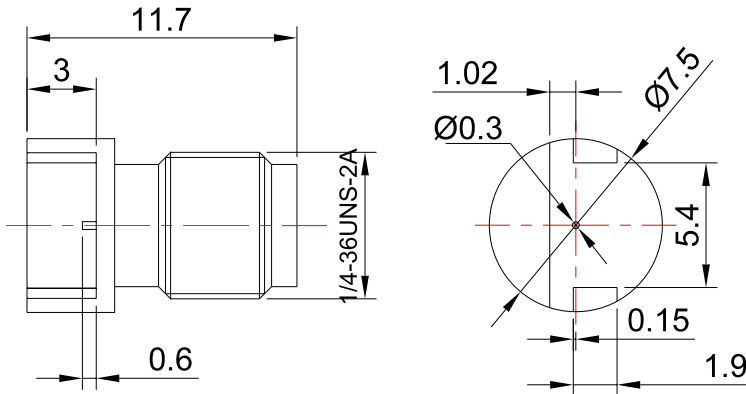


SMA Female Connector End Launch Suit for PCB Thickness 0.8mm, DC - 18GHz

P/N: FR2-SMA-KHD101



Dimensions are in mm

Product Configuration

Body Style	Straight
Connector Series	SMA
Connector Polarity	Standard
Connector Gender	Female
Termination Type	PCB
Connector Impedance (Ohm)	50
Mount Method	End Launch

Electrical Specifications

Frequency	DC-18GHz
VSWR	1.15
Insertion Loss	$\leq 0.1 \times \text{Sq.}(f_GHz)$

Mechanical Data

Mating Cycles, Min	≥ 500
Weight	1.7 g
Body Material	Brass
Body Plating	Gold

Environmental Specifications

RoHS Compliant	Yes
Operating Temperature Range	-55 °C to +165 °C
MIL/STD	N/A