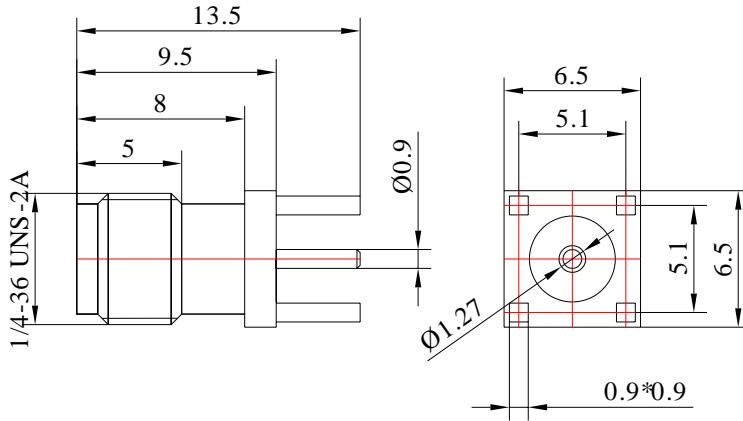


## SMA Female Connector PCB Mount Soldering, DC - 6GHz

P/N: FR2-SMA-KHD-6G



Dimensions are in mm



### Product Configuration

Body Style	Straight
Connector Series	SMA
Connector Polarity	Standard
Connector Gender	Female
Termination Type	PCB
Connector Impedance (Ohm)	50
Mount Method	None

### Electrical Specifications

Frequency	DC-6GHz
VSWR	1.2
Insertion Loss	$\leq 0.05 \times \text{sqrt}(f\_GHz)$

### Mechanical Data

Mating Cycles, Min	$\geq 500$
Weight	1.4 g
Body Material	Brass
Body Plating	Gold

### Environmental Specifications

RoHS Compliant	Yes
Operating Temperature Range	-55 °C to +165 °C
MIL/STD	N/A