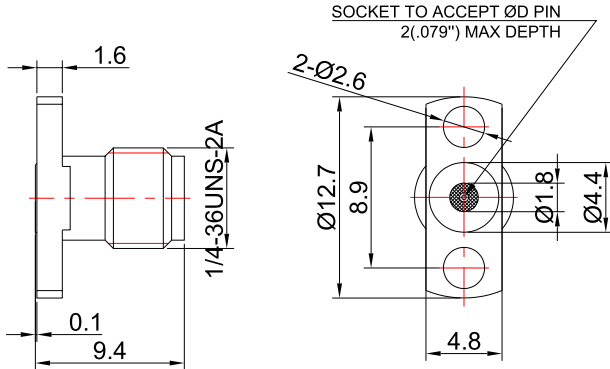


SMA Female Connector Field Replaceable with 2 Hole Flange | Hole Spacing 8.9mm **SMA-KFD0630**
| Acceptable Pin Diameter 0.30mm | DC-26.5GHz



For glass-bead of 0.30mm pin diameter
Dimensions are in mm

Product Configuration

Connector Series	SMA
Connector Polarity	Standard
Connector Gender	Female
Body Style	Straight
Termination Type	Field Replaceable Contact
Connector Impedance (Ohm)	50
Mount Method	2 Hole Flange

Mechanical Data

Min. Mating Cycles	≥500
Body Material	Stainless Steel
Body Plating	Passivated

Electrical Specifications

Frequency	DC - 26.5GHz
VSWR / Return Loss	1.15
Insertion Loss	≤ 0.1 x Sqrt.(f_GHz)

Environmental Specifications

RoHS Compliant	Yes
Operating Temperature Range	-55°C to +165°C
MIL/STD	N/A