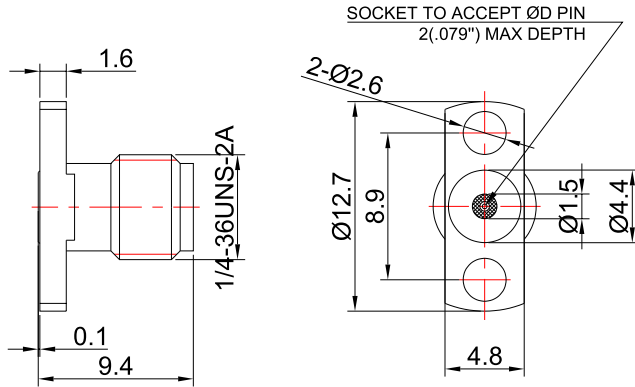


SMA Female Connector Field Replaceable with 2 Hole Flange | Hole Spacing 8.9mm **SMA-KFD0623**  
| Acceptable Pin Diameter 0.23mm | DC-26.5GHz



For glass-bead of 0.23mm pin diameter

Dimensions are in mm

### Product Configuration

Connector Series	SMA
Connector Polarity	Standard
Connector Gender	Female
Body Style	Straight
Termination Type	Field Replaceable Contact
Connector Impedance (Ohm)	50
Mount Method	2 Hole Flange

### Mechanical Data

Min. Mating Cycles	≥500
Body Material	Stainless Steel
Body Plating	Passivated

### Electrical Specifications

Frequency	DC - 26.5GHz
VSWR / Return Loss	1.15
Insertion Loss	≤ 0.1 x Sqrt.(f_GHz)

### Environmental Specifications

RoHS Compliant	Yes
Operating Temperature Range	-55°C to +165°C
MIL/STD	N/A