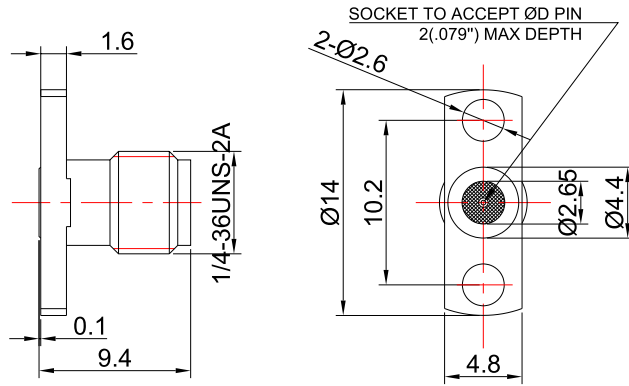


**SMA Female Field Replaceable Connector | 2 Hole Flange | Hole Spacing 10.2mm | Acceptable Pin Diameter 0.51mm | DC -26.5GHz**

**P/N: FR2-SMA-KFD0551**



For glass-bead of 0.51mm pin diameter

Dimensions are in mm

## Product Configuration

|                           |                           |
|---------------------------|---------------------------|
| Body Style                | Straight                  |
| Connector Series          | SMA                       |
| Connector Polarity        | Standard                  |
| Connector Gender          | Female                    |
| Termination Type          | Field Replaceable Contact |
| Connector Impedance (Ohm) | 50                        |
| Mount Method              | 2 Hole Flange             |

## Electrical Specifications

|                    |                      |
|--------------------|----------------------|
| Frequency          | DC - 26.5GHz         |
| VSWR / Return Loss | ≤1.15                |
| Insertion Loss     | ≤ 0.1 x Sqrt.(f_GHz) |

## Mechanical Data

|                    |                 |
|--------------------|-----------------|
| Min. Mating Cycles | ≥500            |
| Body Material      | Stainless Steel |
| Body Plating       | Passivated      |

## Environmental Specifications

|                             |                   |
|-----------------------------|-------------------|
| RoHS Compliant              | Yes               |
| Operating Temperature Range | -55 °C to +165 °C |
| MIL/STD                     | N/A               |