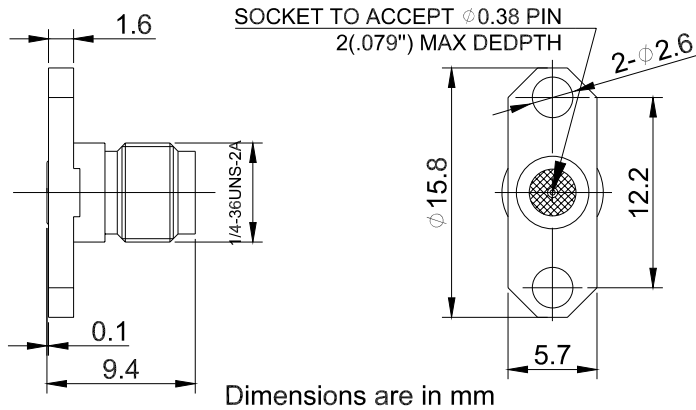


**SMA Female Connector Field Replaceable with 2 Hole Flange, Hole Spacing 12.2mm, Acceptable Pin Diameter 0.38mm, DC-26.5GHz**

**P/N: FR2-SMA-KFD0438**



## Product Configuration

Body Style	Straight
Connector Series	SMA
Connector Polarity	Standard
Connector Gender	Female
Termination Type	Field Replaceable Contact
Connector Impedance (Ohm)	50
Mount Method	2 Hole Flange

## Electrical Specifications

Frequency	DC-26.5GHz
VSWR	$\leq 1.15$
Insertion Loss	$\leq 0.1 \times \text{Sqrt.}(f\_GHz)$

## Mechanical Data

Mating Cycles, Min	$\geq 500$
Body Material	Stainless Steel
Body Plating	Passivated

## Environmental Specifications

RoHS Compliant	Yes
Operating Temperature Range	-55 °C to +165 °C
MIL/STD	N/A