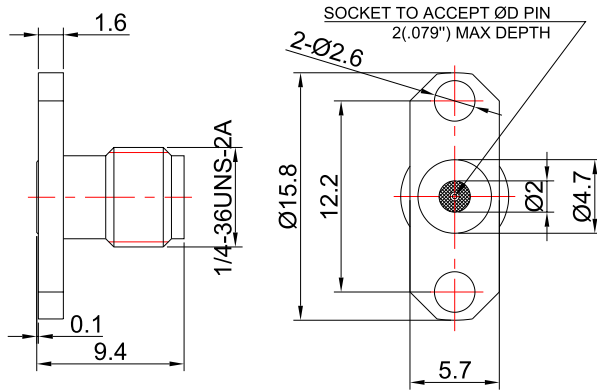


SMA Female Connector Field Replaceable with 2 Hole Flange | Hole Spacing  
12.2mm | Acceptable Pin Diameter 0.38mm | DC-26.5GHz

**SMA-KFD0438**



For glass-bead of 0.38mm pin diameter  
Dimensions are in mm

### Product Configuration

Connector Series	SMA
Connector Polarity	Standard
Connector Gender	Female
Body Style	Straight
Termination Type	Field Replaceable Contact
Connector Impedance (Ohm)	50
Mount Method	2 Hole Flange

### Mechanical Data

Min. Mating Cycles	≥500
Body Material	Stainless Steel
Body Plating	Passivated

### Electrical Specifications

Frequency	DC - 26.5GHz
VSWR / Return Loss	≤1.15
Insertion Loss	≤ 0.1 x Sqrt.(f_GHz)

### Environmental Specifications

RoHS Compliant	Yes
Operating Temperature Range	-55 °C to +165 °C
MIL/STD	N/A