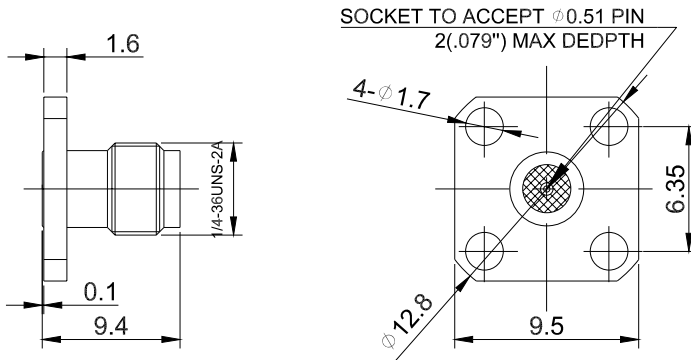


SMA Female Connector Field Replaceable with 4 Hole Flange, Hole Spacing 6.35mm, Acceptable Pin Diameter 0.51mm, DC-26.5GHz

P/N: FR2-SMA-KFD0251



Dimensions are in mm



Product Configuration

Body Style	Straight
Connector Series	SMA
Connector Polarity	Standard
Connector Gender	Female
Termination Type	Field Replaceable Contact
Connector Impedance (Ohm)	50
Mount Method	4 Hole Flange

Electrical Specifications

Frequency	DC-26.5 GHz
VSWR	≤1.15
Insertion Loss	≤ 0.1 x Sqrt.(f_Ghz)

Mechanical Data

Mating Cycles, Min	≥500
Body Material	Stainless Steel
Body Plating	Passivated

Environmental Specifications

RoHS Compliant	Yes
Operating Temperature Range	-55 °C to +165 °C
MIL/STD	N/A