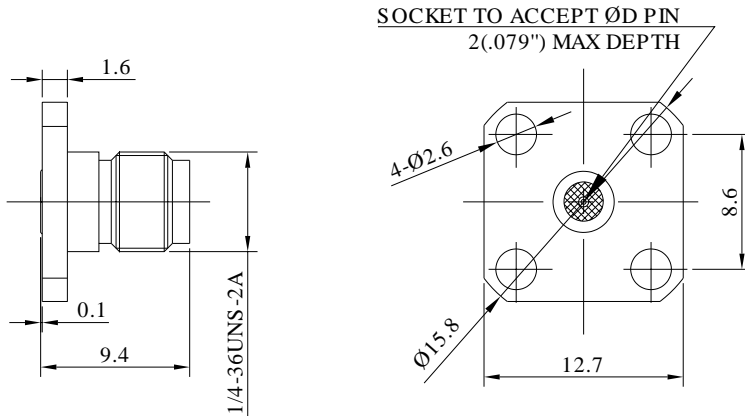


## SMA Female Connector Field Replaceable with 4 Hole Flange, Acceptable Pin Diameter 0.51mm, DC - 26.5GHz P/N: FR2-SMA-KFD0151



Dimensions are in mm



### Product Configuration

Body Style	Straight
Connector Series	SMA
Connector Polarity	Standard
Connector Gender	Female
Termination Type	Field Replaceable Contact
Connector Impedance (Ohm)	50
Mount Method	4 Hole Flange

### Electrical Specifications

Frequency	DC-26.5GHz
VSWR	1.15
Insertion Loss	$\leq 0.1 \times \sqrt{f_{GHz}}$

### Mechanical Data

Mating Cycles, Min	$\geq 500$
Weight	2.8 g
Body Material	Stainless Steel
Body Plating	Passivated

### Environmental Specifications

RoHS Compliant	Yes
Operating Temperature Range	-55 °C to +165 °C
MIL/STD	N/A