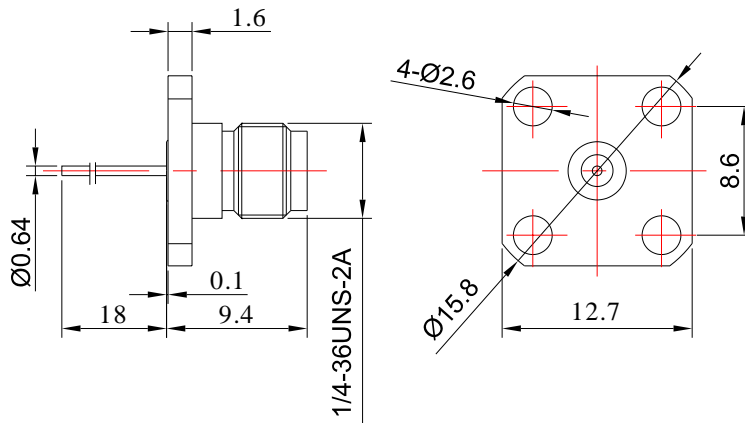


SMA Female Connector with 4 Hole Flange Center Pin Length 18mm, DC-26.5GHz

P/N: FR2-SMA-KFD0110



Dimensions are in mm

Product Configuration

Body Style	Straight
Connector Series	SMA
Connector Polarity	Standard
Connector Gender	Female
Termination Type	Terminal
Connector Impedance (Ohm)	50
Mount Method	4 Hole Flange

Electrical Specifications

Frequency	DC-26.5GHz
VSWR	1.15
Insertion Loss	$\leq 0.1 \times \text{sqrt}(f_Ghz)$

Mechanical Data

Min. Mating Cycles	≥ 500
Weight	2.75 g
Body Material	Stainless Steel
Body Plating	Passivated

Environmental Specifications

RoHS Compliant	Yes
Operating Temperature Range	-55 °C to +165 °C
MIL/STD	N/A