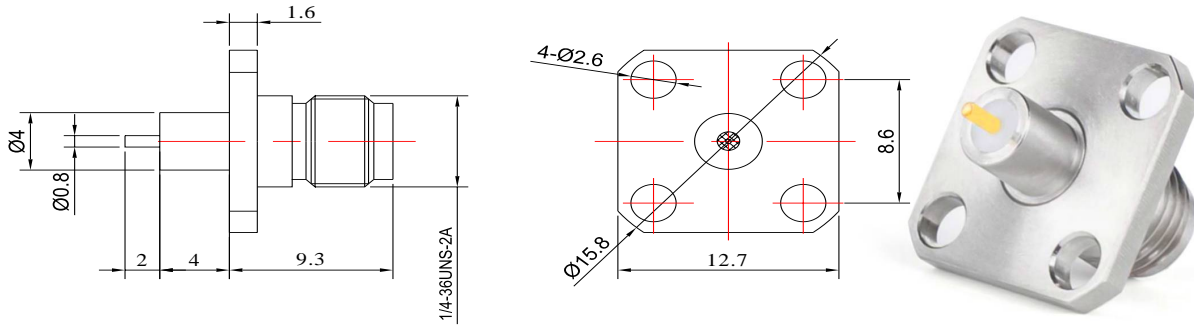


## SMA Female Connector Solder Attachment 4 Hole Flange Mount Stub Terminal, DC - 26.5GHz

P/N: FR2-SMA-KFD0101



Dimensions are in mm

### Product Configuration

Body Style	Straight
Connector Series	SMA
Connector Polarity	Standard
Connector Gender	Female
Termination Type	Terminal
Connector Impedance (Ohm)	50
Mount Method	4 Hole Flange

### Electrical Specifications

Frequency	DC-26.5GHz
VSWR	<1.15
Insertion Loss	$\leq 0.1 \times \text{sqrt}(f\_GHz)$
RF Leakage	-90dBc

### Mechanical Data

Mating Cycles, Min	$\geq 500$
Weight	2.5 g
Body Material	Stainless Steel
Body Plating	Passivated

### Environmental Specifications

RoHS Compliant	Yes
Operating Temperature Range	-55 °C to +165 °C
MIL/STD	N/A