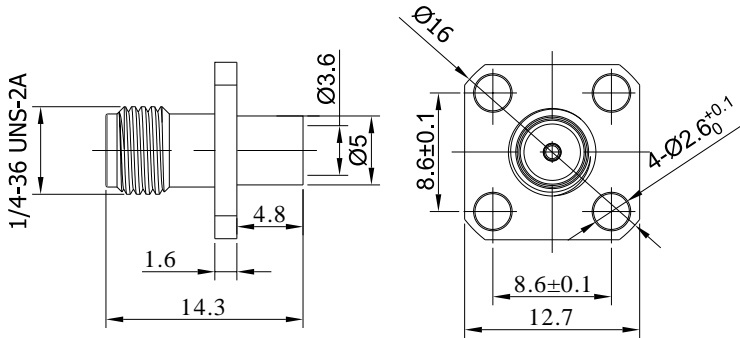


SMA Female Connector for .141' Series Cables with 4 Hole Flange, DC - 18GHz

P/N: FR2-SMA-KFB3



Dimensions are in mm

Product Configuration

Body Style	Straight
Connector Series	SMA
Connector Polarity	Standard
Connector Gender	Female
Termination Type	Coax
Connector Impedance (Ohm)	50
Mount Method	4 Hole Flange

Electrical Specifications

Frequency	DC-18GHz
VSWR	1.35
Insertion Loss	≤ 0.1 x Sqrt.(f_GHz)

Mechanical Data

Mating Cycles, Min	≥ 500
Weight	2.9 g
Body Material	Brass
Body Plating	Gold

Environmental Specifications

RoHS Compliant	Yes
Operating Temperature Range	-55 °C to +165 °C
MIL/STD	N/A